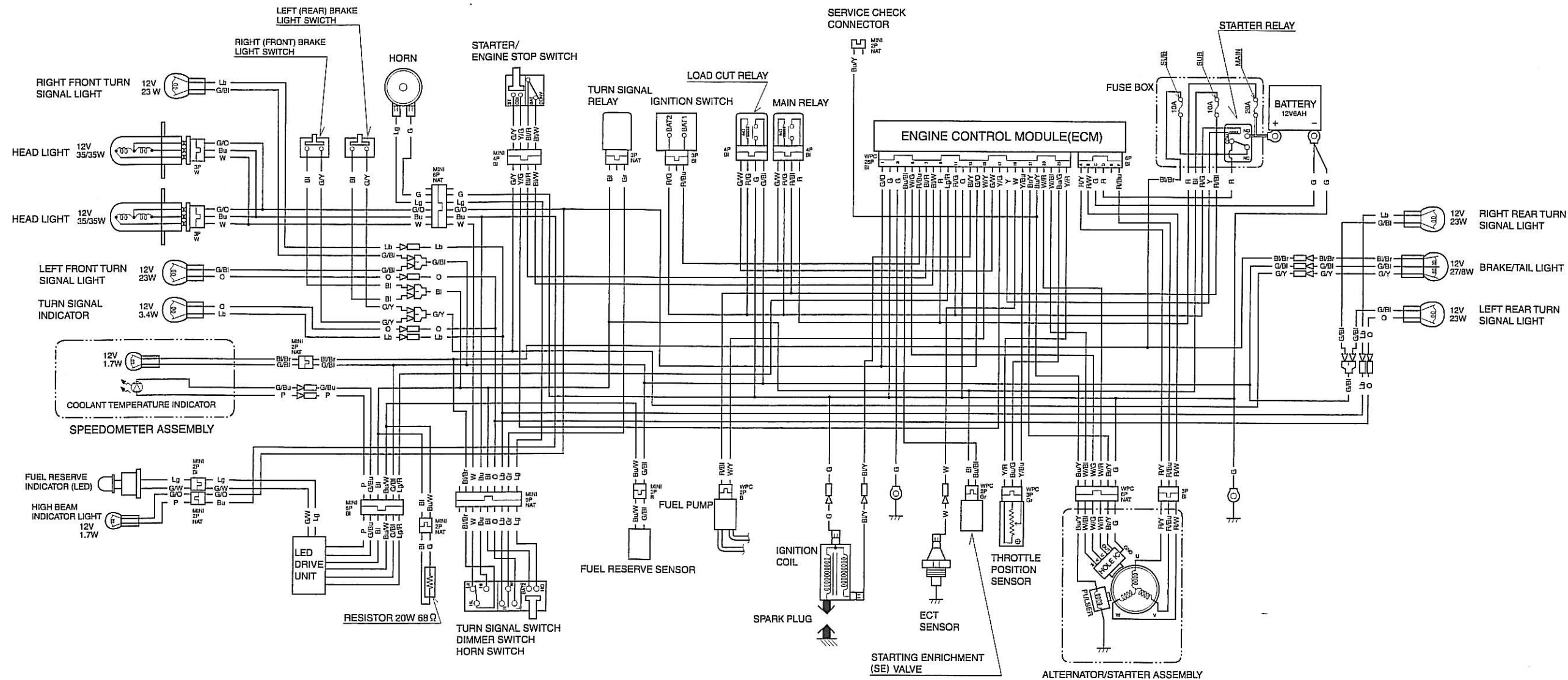
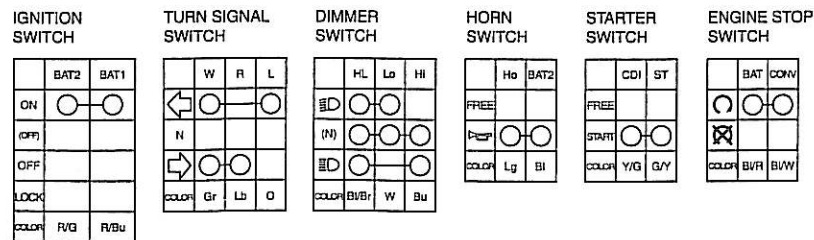


STANDARD



SWITCH CONTINUITY



1	H/L-1	H/L CONTROL	G/O	14	H/L-2	H/L CONTROL	G/O
2	GND-2	GND	G	15	F/P	FUEL PUMP	W/Y
3	GND-1	GND	G	16	SH-L	LOAD CUT GND	G/W
4	A/B	AUTO BYSTARTER	Bu/BI	17	ST-SW	STARTER SW	Y/G
5	I/HV	HOLE IC <V>	W/G	18	S/RELAY	START RELAY	Y
6	C&L	C&L BATT1	R/Bu	19	TH-SE	THERMO SENSOR	W
7	BAT	CDIBAT	BI/R	20	THR	THROTTLE	Y/Bu
8	CONV	CDICONV	BI/W	21	VOUT	HOLE IC <OUT>	Br/Y
9	B/CUT	BATTERY CUT	R	22	PUL	PULSER	Bu/Y
10	WT-IND	WATER CAUTION	Lg/R	23	I/HU	HOLE IC <U>	W/R
11	BAT2	+12V <2>	R/G	24	I/HW	HOLE IC <W>	W/BI
12	GND	GND	G	25	THG	THROTTLE GND	Bu/G
13	IGN	IGN-COIL	BI/Y	26	VTH	THROTTLE +5V	Y/R

A	U	ACG U	R/Y
B	V	ACG V	R/W
C	-	BAT -	G
D	+	BAT +	R
E			
F	W	ACG W	R/Bu

BI	BLACK	Br	BROWN
Y	YELLOW	O	ORANGE
Bu	BLUE	Lb	LIGHT BLUE
G	GREEN	Lg	LIGHT GREEN
R	RED	P	PINK
W	WHITE	Gr	GRAY

0030Z-GEZ-6700